



| | |
|-----------------------|-----------------------------------|
| Name | SB570-R IP65 (on)-off ϕ 14mm |
| Rated Range | 3A 250VAC |
| Contact resistance | $\leq 50\text{m}\Omega$ |
| Insulation resistance | $\geq 100\text{M}\Omega$ |
| Compressive strength | 1500VAC 50Hz, 1Min |
| Electrical life | 10000time |
| Mechanical life | 10000time |
| Press power | 4N~7N |
| Operating temperature | -25°C ~ +85°C |
| Degree of protection | IP65 |
| Hypothermia | -25°C |

Weldability

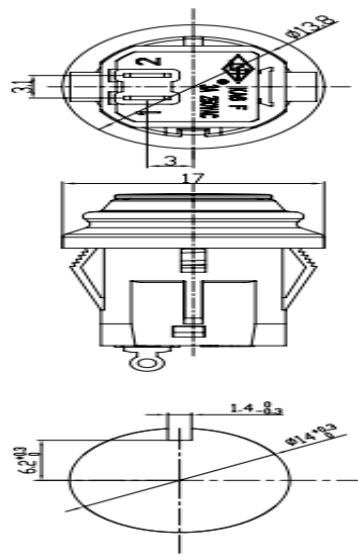
$\leq 350^{\circ}\text{C}$, $\leq 3\text{S}$

Resistance to soldering heat pick

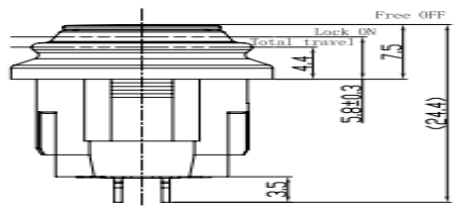
$\leq 350^{\circ}\text{C}$, $\leq 3\text{S}$

Material

PA66



公差 $\pm 0.2\text{mm}$



RUICHI